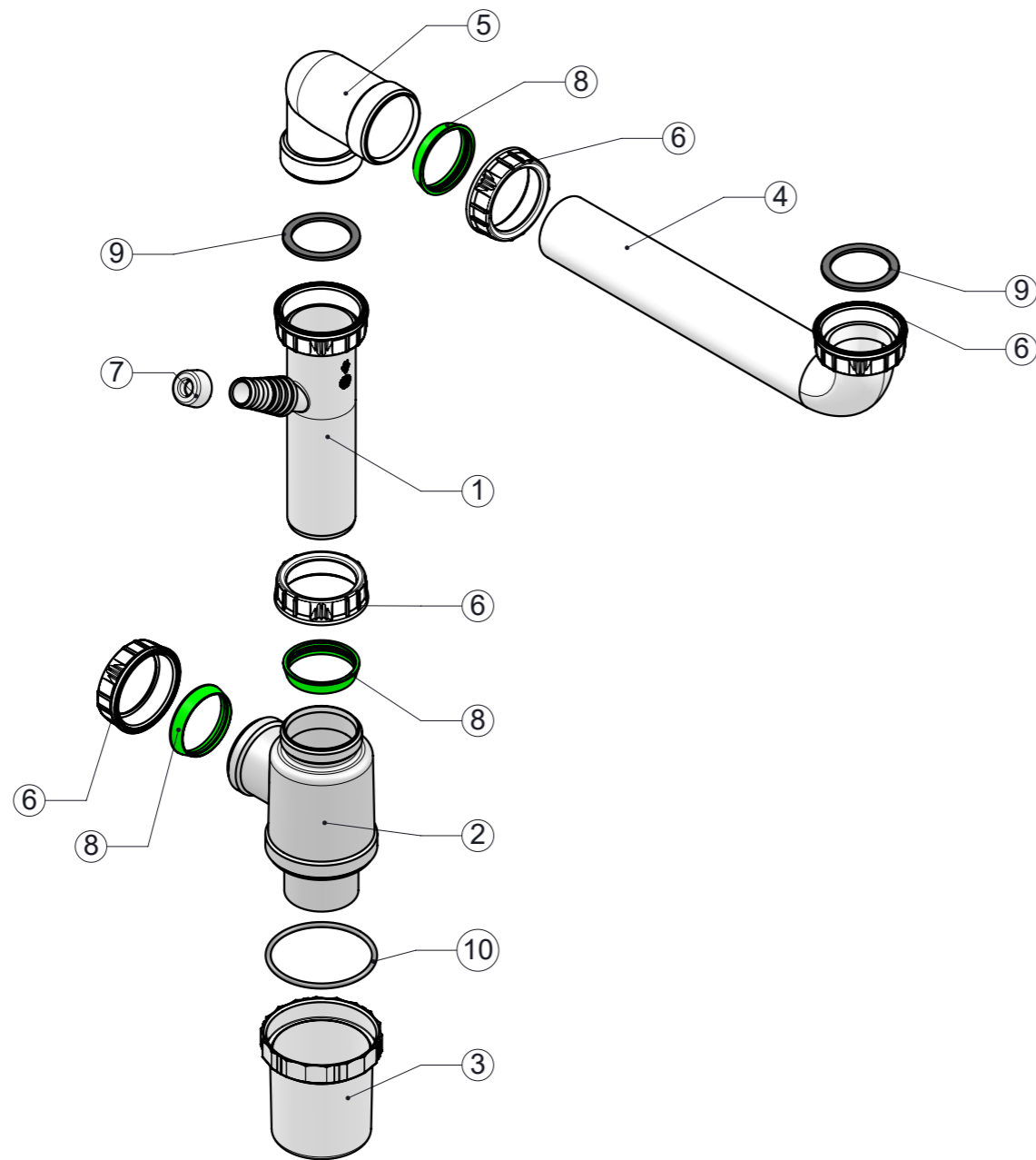


ALBA S.r.l.
19/02/2020
mg



| Bill of materials | | | | | | | |
|-------------------|---------|------------|------|--|------------|--------|-----------|
| Pos. | Drawing | Code | Q.tà | Denomination | Material | Colour | Treatment |
| 1 | 00274 | AB0CA0506R | 1 | Assembled adjustable pipe with nut | | White | |
| 2 | 00273 | AB0ST0058R | 1 | Siphon body DN40 | | White | |
| 3 | 00297 | AB0ST0005R | 1 | Bowl S.1000 | PP | White | |
| 4 | 00112 | AB0ST0038R | 1 | L pipe connection DN40 L.245 with flat | PP | White | |
| 5 | 00002 | AB0ST0159R | 1 | L fitting DN40 2 threads with flat and chamfer | PP | White | |
| 6 | 00005 | AB0ST0068R | 4 | Open nut G 1-1/2" | PP | White | |
| 7 | 00348 | AB0AQ0211R | 1 | Stopper for washing-machine pipe | PVC 70Sh | White | |
| 8 | 00064 | AB0ST0092R | 3 | Conical washer DN40 plastic | PE LD GR70 | Green | |
| 9 | 00133 | AB0AQ0115R | 2 | Flat gasket 1-1/2" DN40 sp.2 | PVC 70Sh | Grey | |
| 10 | 00415 | AB0AQ0090R | 1 | O-Ring 059,00X065,00X3,00 | PVC 70 Sh | Black | |
| 11 | 05599 | AB0ZZ1788R | 1 | Assembling instructions for 61001097 | | | |
| 12 | 00895 | FITP00004 | 1 | Plastic bag | PE LD | | |
| 13 | 00886 | AB0ZZ0753R | 1 | Label 80X80 61001097 | | | |

| | | | |
|----------------------------|---------------------------------------|-----------------------|----------------------------------|
| | Date | Signature | Customer code 61001097 |
| | Drawn | 20/05/2016 | |
| | Approved | 16/06/2016 | PASINI |
| | General tolerance UNI EN 22768 m L | | Scale 1:4 (A3) |
| Connection kit 1W 61001097 | | | Drawing No 05597 |
| Code AB0011084R | | Revision 00 | |